

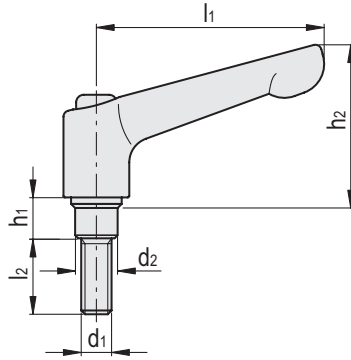
- 1
- 2
- 3
- 4
- 5
- 6
- 7
- 8
- 9
- 10
- 11
- 12
- 13
- 14
- 15
- 16
- 17
- 18
- 19

**MATERIAL**

Die-cast zinc alloy lever, epoxy resin coating, RAL 9006 silver colour.  
 AISI 303 stainless steel clamping element with retaining screw.  
 AISI 301 stainless steel return spring.

**FEATURES AND APPLICATIONS**

GN 911 clamping kit can be used as an alternative to the grub screws supplied with the different kinds of connecting clamps.  
 The correspondent clamping kit is indicated in the tables of the different clamps.



INOX STAINLESS STEEL

Code	Description	d1	d2	l1	l2	h1	h2	△
GN.67992	GN 911-45-M6-20-SR	M 6	10	45	20	9	34	41
GN.68102	GN 911-63-M6-20-SR	M 6	10	63	20	12	44	84
GN.68103	GN 911-63-M8-25-SR	M 8	13	63	25	12.5	42	92
GN.68104	GN 911-63-M8-30-SR	M 8	13	63	30	12.5	42	94
GN.68105	GN 911-63-M8-35-SR	M 8	13	63	35	12.5	42	96
GN.68108	GN 911-63-M8-40-SR	M 8	13	63	40	12.5	42	102
GN.68107	GN 911-63-M8-50-SR	M 8	13	63	50	12.5	42	102
GN.68112	GN 911-78-M8-25-SR	M 8	13	78	25	15	52	148
GN.68113	GN 911-78-M8-30-SR	M 8	13	78	30	15	52	150
GN.68114	GN 911-78-M8-35-SR	M 8	13	78	35	15	52	151
GN.68117	GN 911-78-M8-40-SR	M 8	13	78	40	15	52	153
GN.68115	GN 911-78-M8-50-SR	M 8	13	78	50	15	52	154
GN.68122	GN 911-78-M10-35-SR	M 10	16	78	35	16	50	166
GN.68123	GN 911-78-M10-50-SR	M 10	16	78	50	16	50	176
GN.68124	GN 911-78-M10-55-SR	M 10	16	78	55	16	50	179
GN.68125	GN 911-78-M10-60-SR	M 10	16	78	60	16	50	182
GN.68127	GN 911-78-M10-65-SR	M 10	16	78	65	16	50	185
GN.68132	GN 911-92-M10-35-SR	M 10	16	92	35	16	60	220
GN.68133	GN 911-92-M10-50-SR	M 10	16	92	50	16	60	229
GN.68134	GN 911-92-M10-55-SR	M 10	16	92	55	16	60	232
GN.68135	GN 911-92-M10-60-SR	M 10	16	92	60	16	60	235
GN.68138	GN 911-92-M10-65-SR	M 10	16	92	65	16	60	236

Tube connectors